

Industrial



Commercial



Agriculture



Standby



Auto-Start

Generator Ratings (Prime/Standby)

	XL850P	XL900P	XL1000P
PRIME POWER:	850 kVA	900 kVA	1000 kVA
	680 kW	720 kW	800 kW
STANDBY POWER:	935 kVA	990 kVA	1100 kVA
	748 kW	792 kW	880 kW
RPM:	1500	1500	1500
POWER FACTOR:	0.8	0.8	0.8

Excel Perkins Series – With Perkins Engines coupled to Stamford or Leroy Somer Alternators.

Our diesel generators are available as an open type or built in to soundproof canopies.

Please contact Excel Power Ltd (info@excelpowerltd.co.uk) for full specification and details.



THE HAMPSHIRE
GENERATOR
& UPS CO

Excel Power Ltd
www.excelpowerltd.co.uk

Exclusive UK Distributors: -
The Hampshire Generator & UPS Co
www.hampshiregenerators.co.uk

CONTAINERISED GENERATORS



Dimensions & Weights			
	XL850P	XL900P	XL1000P
↔	12192mm	12192mm	12192mm
↗	2438mm	2438mm	2438mm
↕	2590mm	2590mm	2590mm
KG	9500kg	10,000kg	10,900kg

Container Specification – 85dB(A) at 1m Free Field

- Small power and lighting fitted with distribution box.
- Emergency stop button mounted on enclosure exterior.
- Residential exhaust silencer fitted on container roof or internal (depending on rating).
- Chequer-plate floor with generator fixings.
- Radiator ducted to the outlet louvres.
- Inlet and outlet weather louvre with vermin mesh.
- Internally lined with fire resistant foam.
- Personnel access doors with internal panic-button release.
- Optional CSC plating for international shipping.

Excellent Service and Maintenance Access

- Large doors for easy access.
- Large cable gland plate for ease of installation.
- Colour coded wiring looms.
- Excellent vandal resistance and security.

Transportability

- International standard 4 corner twist-lock fittings.

Container Features:



High Quality, corrosion resistant lockable door catches.



International Standard Twist-lock Corner Fittings



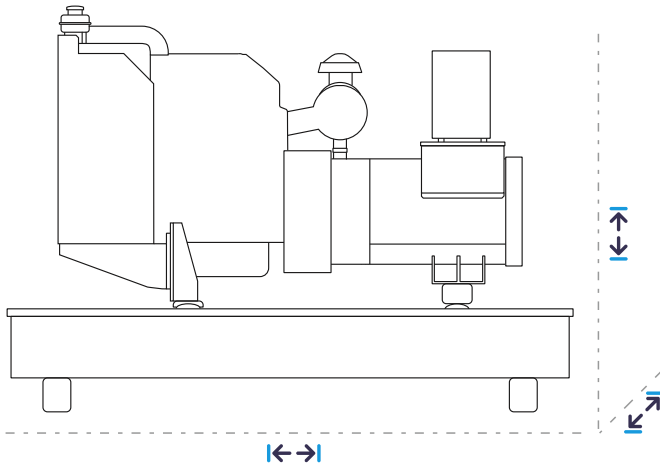
Designed and hand-built in the UK. Fully load tested.

CSC SAFETY APPROVAL	
D-HH-3000 / GL 6000	
DATE MANUFACTURED	0000/0000
IDENTIFICATION NO.	0000111112345
MAXIMUM GROSS MASS	30,000 KGS 14,500 LBS
ALLOWABLE STACK WT FOR 1 SIG	24,000 KGS 475,000 LBS
RACKING TEST LOAD VALUE	15,200 KGS 33,000 LBS

Optional CSC Rating approval for international shipping.



OPEN TYPE GENERATORS



Dimensions & Weights			
	XL850P	XL900P	XL1000P
↔	4650mm	4650mm	4650mm
↗	2050mm	2050mm	2050mm
↕	2270mm	2270mm	2270mm
⚖	7500kg	7500kg	7500kg

Key Features

- Skid base manufactured from high grade steel.
- Colour coded wiring looms (to aid maintenance).
- High quality, noise reducing silencer supplied loose.
- Anti vibration mounts, for the engine and alternator.
- Heavy duty starter batteries fitted.
- Set mounted control panel with Deepsea controller.

Security and Safety

- Lockable control panel.
- Emergency stop button.
- Cooling fan and battery charging alternator fully guarded.

- Worldwide warranty & Support
- ISO9001:2015 UKAS Certified Company

Open Generator Features



Heavy Duty, High Quality Starter Batteries



Anti-vibration mounts fitted to prevent vibration and noise.



Deepsea Controller fitted as standard – DSE6110



Power coated, rolled steel base frame with tank (up to 650kVA)



TECHNICAL DATA

		Fuel Consumption		
		XL850P	XL900P	XL1000P
TANK CAPACITY*	Litres	n/a	n/a	n/a
FUEL CONSUMPTION	Litres / hr 75%	196	201	206
		Sound Levels		
SOUNDPROOF CONTAINER	7M	75	75	75
DB(A) LEVELS 75%	1M	86	86	86
		Engine Technical Data		
ENGINE MODEL	UK	4008TAG	4008TAG1A	4008TAG2A
COOLING	Radiator	Water	Water	Water
GOVERNOR TYPE		Electronic	Electronic	Electronic
CYLINDER		8	8	8
BORE / STROKE (MM)	mm			
COMPRESSION RATIO		13.6:1	13.6:1	13.6:1
DISPLACEMENT	Litres	30.6	30.6	30.6
OIL CAPACITY	Litres	177	177	177
		Alternator Technical Data		
ALTERNATOR MODEL	MeccAlte	n/a	ECO43-2SN	ECO46-1LN
	Stamford	HCI634H	HCI634H	HCI634J
	Leroy Somer	n/a	n/a	n/a
BEARINGS		1	1	1
WINDING PITCH		2/3	2/3	2/3
WIRES		12	12	12
INSULATION CLASS		H	H	H
REGULATION	AVR	AREP/AVR	AREP / AVR	AREP / AVR
INGRESS PROTECTION		IP23	IP23	IP23

*Open set is without fuel tank – 1000 litre tank included in a Containerised Unit



THE HAMPSHIRE
GENERATOR
& UPS CO

Excel Power Ltd
www.excelpowerltd.co.uk

Exclusive UK Distributors: -
The Hampshire Generator & UPS Co
www.hampshiregenerators.co.uk

AUTO START / MANUAL CONTROL PANEL (STANDARD)

Deep Sea Electronics is one of the world's top manufacturers of generator control, auto transfer switch and battery charger equipment. Excel Power supply these controllers as standard.



DSE4520 Manual Control Module

Please see Deep Sea PLC Control Module brochure for full specification.



DSE7000 Series – Auto Mains Failure Control Module

Please see Deep Sea PLC Control Module brochure for full specification.



OPTIONAL ACCESSORIES

Operation:

- Automatic Transfer Switches
- Manual Transfer Switches
- Automatic Fuel Transfer
- External Plug Sockets

Further Options:

- Fuel Tanks – External/Large/Underground
- Bespoke Canopies (including Colour)
- Slow/Fast Trailer
- & Many More

Service & Maintenance:

- Minor & Major Service Parts
- Service Contracts (UK Customers)

Control:

- GSM Modem
- Remote Control Start

GENERATOR ESSENTIAL SERVICE PARTS

As well as stocking a huge range of Excel Diesel generator parts, our essential parts division supplies parts for all major brands and can dispatch them anywhere in the world– 24hrs a day, 7 days a week.



All designs mentioned and shown are subject to change due to continuous development. Please contact us to confirm any aspect that is important to your specific installation or requirement. All images are typical only and final design may change.



THE HAMPSHIRE
GENERATOR
& UPS CO

Excel Power Ltd
www.excelpowerltd.co.uk

Exclusive UK Distributors: -
The Hampshire Generator & UPS Co
www.hampshiregenerators.co.uk