

Industrial



Commercial



Agriculture



Standby



Auto-Start

Generator Ratings (Prime/Standby)

	XL1250P	XL1350P	XL1500P	XL1640P	XL1710P
PRIME POWER:	1250 kVA	1350 kVA	1500 kVA	1640 kVA	1710 kVA
	1000 kW	1080 kW	1200 kW	1312 kW	1368 kW
STANDBY POWER:	1375 kVA	1485 kVA	1650 kVA	1804 kVA	1881 kVA
	1100 kW	1188 kW	1320 kW	1443 kW	1505 kW
RPM:	1500	1500	1500	1500	1500
POWER FACTOR:	0.8	0.8	0.8	0.8	0.8

Excel Perkins Series – With Perkins Engines coupled to Stamford or Leroy Somer Alternators.

Our diesel generators are available as an open type or built in to soundproof canopies.

Please contact Excel Power Ltd (info@excelpowerltd.co.uk) for full specification and details.



THE HAMPSHIRE
GENERATOR
& UPS CO

Excel Power Ltd
www.excelpowerltd.co.uk

Exclusive UK Distributors: -
The Hampshire Generator & UPS Co
www.hampshiregenerators.co.uk



CONTAINERISED GENERATORS

Dimensions & Weights					
	XL1250P	XL1350P	XL1500P	XL1640P	XL1710P
↔	12192mm	12192mm	12192mm	12192mm	12192mm
↗	2438mm	2438mm	2438mm	2438mm	2438mm
↕	2590mm	2590mm	2590mm	2590mm	2590mm
KG	14000kg	14500kg	14500kg	14700kg	14900kg

Container Specification – 85dB(A) at 1m Free Field

- Small power and lighting fitted with distribution box.
- Emergency stop button mounted on enclosure exterior.
- Residential exhaust silencer fitted on container roof or internal (depending on rating).
- Chequer-plate floor with generator fixings.
- Radiator ducted to the outlet louvres.
- Inlet and outlet weather louvre with vermin mesh.
- Internally lined with fire resistant foam.
- Personnel access doors with internal panic-button release.
- Optional CSC plating for international shipping.

Excellent Service and Maintenance Access

- Large doors for easy access.
- Large cable gland plate for ease of installation.
- Colour coded wiring looms.
- Excellent vandal resistance and security.

Transportability

- International standard 4 corner twist-lock fittings.

Container Features:



High Quality, corrosion resistant lockable door catches.



International Standard Twist-lock Corner Fittings



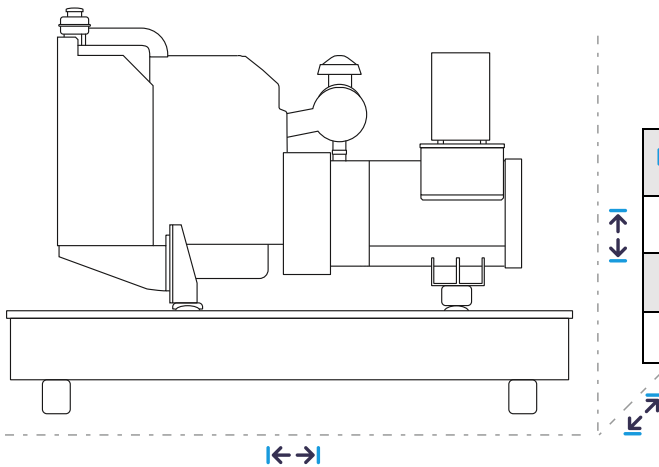
Designed and hand-built in the UK. Fully load tested.



Optional CSC Rating approval for international shipping.



OPEN TYPE GENERATORS



Dimensions & Weights					
	XL1250P	XL1350P	XL1500P	XL1640P	XL1710P
↔	4730mm	4730mm	4990mm	5100mm	5100mm
↗↘	1780mm	1980mm	2190mm	2190mm	2190mm
↑↓	2450mm	2450mm	2510mm	2510mm	2510mm
KG	8900kg	9000kg	10000kg	10100kg	10100kg

Key Features

- Skid base manufactured from high grade steel.
- Colour coded wiring looms (to aid maintenance).
- High quality, noise reducing silencer supplied loose.
- Anti vibration mounts, for the engine and alternator.
- Heavy duty starter batteries fitted.
- Set mounted control panel with Deepsea controller.

Security and Safety

- Lockable control panel.
- Emergency stop button.
- Cooling fan and battery charging alternator fully guarded.

- Worldwide warranty & Support
- ISO9001:2015 UKAS Certified Company

Open Generator Features



Heavy Duty, High Quality Starter Batteries



Anti-vibration mounts fitted to prevent vibration and noise.



Deepsea Controller fitted as standard – DSE6110



Power coated, rolled steel base frame with tank (up to 650kVA)



THE HAMPSHIRE
GENERATOR
& UPS CO

Excel Power Ltd
www.excelpowerltd.co.uk

Exclusive UK Distributors: -
The Hampshire Generator & UPS Co
www.hampshiregenerators.co.uk

TECHNICAL DATA

		Fuel Consumption				
		XL1250P	XL1350P	XL1500P	XL1640P	XL1710P
TANK CAPACITY*	Litres	n/a	n/a	n/a	n/a	n/a
FUEL CONSUMPTION	Litres / hr 75%	259	54	81	350	370
		Sound Levels				
SOUNDPROOF	7M	70	70	70	70	70
CONTAINER	1M	85	85	85	85	85
dB(A) LEVELS 75%						
		Engine Technical Data				
ENGINE MODEL	UK	4012-46TWG2A	4012-46TWG3A	4012-46TAG2A	4012-46TAG3A	4012-46TAG3A
COOLING	Radiator	Water	Water	Water	Water	Water
GOVERNOR TYPE		Electronic	Electronic	Electronic	Electronic	Electronic
CYLINDER		12 Vee	12 Vee	12 Vee	12 Vee	12 Vee
BORE / STROKE (MM)	mm					
COMPRESSION RATIO		13:1	13:1	13:1	13.6:1	13.6:1
DISPLACEMENT	Litres	45.4	45.4	45.4	45.4	45.4
OIL CAPACITY	Litres	177	177	177	177	177
		Alternator Technical Data				
ALTERNATOR MODEL	MeccAlte	ECO43-1LN	ECO43-2LN	ECO46-1S	N/A	N/A
	Stamford	P1734A	P1734B	P1734C	P1734D	P1734E
	Leroy Somer	LSA50.2M6	LSA50.2L7	LSA50.2L8	LSA50.2VL10	LSA50.3S5
BEARINGS		1	1	1	1	1
WINDING PITCH		2/3	2/3	2/3	2/3	2/3
WIRES		12	12	12	12	12
INSULATION CLASS		H	H	H	H	H
REGULATION	AVR	AREP/AVR	AREP / AVR	AREP / AVR	AREP / AVR	AREP / AVR
INGRESS PROTECTION		IP23	IP23	IP23	IP23	IP23

- Open set is without fuel tank – 2000 litre tank included in a Containerised Unit



THE HAMPSHIRE
GENERATOR
& UPS CO

Excel Power Ltd
www.excelpowerltd.co.uk

Exclusive UK Distributors: -
The Hampshire Generator & UPS Co
www.hampshiregenerators.co.uk

AUTO START / MANUAL CONTROL PANEL (STANDARD)

Deep Sea Electronics is one of the world's top manufacturers of generator control, auto transfer switch and battery charger equipment. Excel Power supply these controllers as standard.



DSE4520 Manual Control Module
 Please see Deep Sea PLC Control Module brochure for full specification.



DSE7000 Series – Auto Mains Failure Control Module
 Please see Deep Sea PLC Control Module brochure for full specification.



OPTIONAL ACCESSORIES

Operation:

- Automatic Transfer Switches
- Manual Transfer Switches
- Automatic Fuel Transfer
- External Plug Sockets

Further Options:

- Fuel Tanks – External/Large/Underground
- Bespoke Canopies (including Colour)
- Slow/Fast Trailer
- & Many More

Service & Maintenance:

- Minor & Major Service Parts
- Service Contracts (UK Customers)

Control:

- GSM Modem
- Remote Control Start

GENERATOR ESSENTIAL SERVICE PARTS

As well as stocking a huge range of Excel Diesel generator parts, our essential parts division supplies parts for all major brands and can dispatch them anywhere in the world– 24hrs a day, 7 days a week.



All designs mentioned and shown are subject to change due to continuous development. Please contact us to confirm any aspect that is important to your specific installation or requirement. All images are typical only and final design may change.



THE HAMPSHIRE
GENERATOR
& UPS CO

Excel Power Ltd
www.excelpowerltd.co.uk

Exclusive UK Distributors: -
The Hampshire Generator & UPS Co
www.hampshiregenerators.co.uk